

SUBSEA NAVIGATION

3D Recon

3D Recon is a 4,000m rated, self contained tool that delivers high resolution, geospatially correct, 3D models of what is imaged subsea. 3D Recon knows where it is with respect to the features it uses to build the model, so it's also a relative positioning system. 3D Recon navigates in real time while simultaneously building the 3D model, allowing you to very precisely navigate the last 3m, 2m, 5cm, 1cm to the defined feature you want to go to on the structure.

APPLICATIONS:

Pipeline Surveys - High resolution free span data, anode depletion volumes possible

Metrology – Delivers metrology level accuracy, 30mm over 30m (1/1000)

As Built – Delivers exactly what is on the seabed and exactly where it is – import into operator GIS

Dimensional Control at Depth – Structure modeling and subsea offset determination

Under Hull / SPAR Positioning – Tricky to position free moving targets in the water column

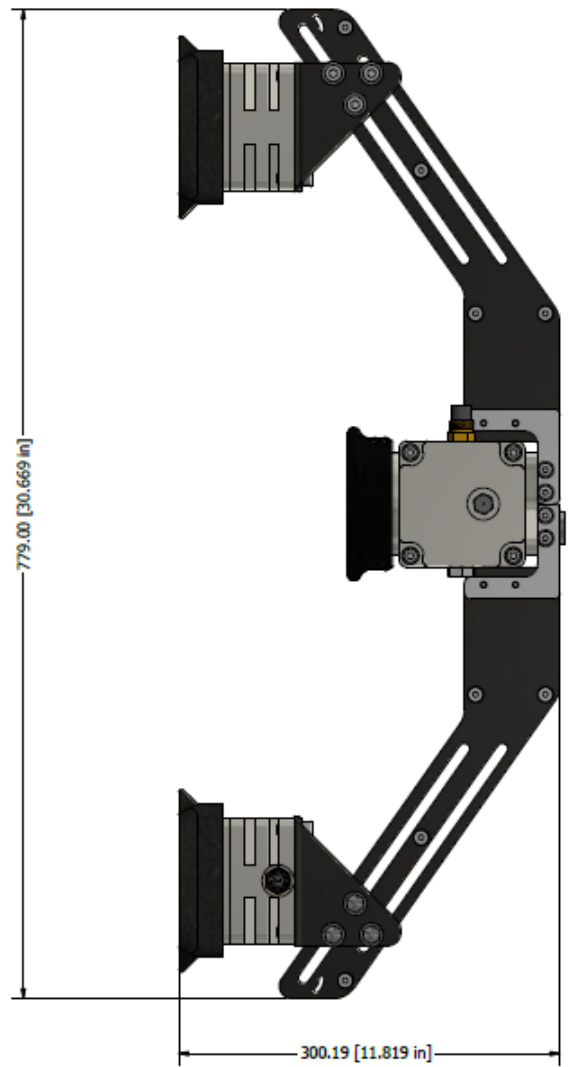
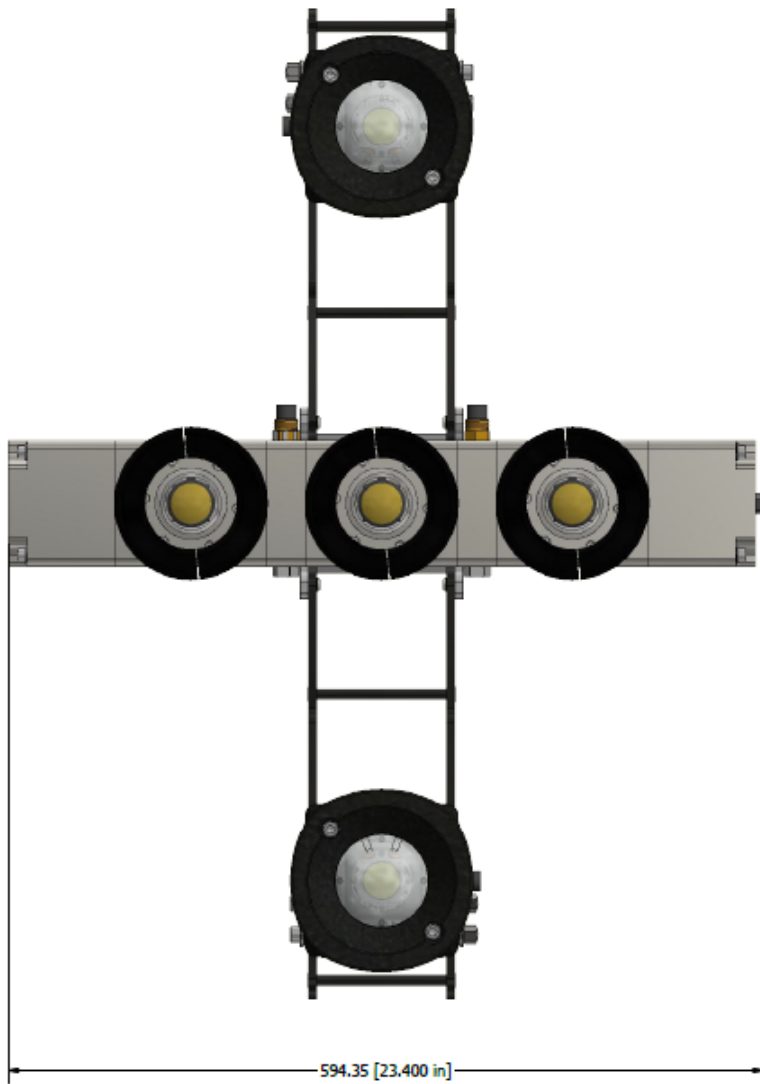
Asset Integrity Monitoring – Automated change detection, position and feature definition

Augmented Reality (valve ops / structure ID) – Identify a feature, automatically display metadata and automatically navigate to that specific feature



www.zupt.com

Zupt delivers operationally aware inertial technologies to improve the productivity associated with high cost operations for oil and gas exploration and field development. These capabilities are offered and supported worldwide.



SPECS:

- Type of Application - Marine
- Year of Introduction - 2020
- Length - 77.9 cm
- Width - 59.4 cm
- Depth - 30.0 cm
- Weight in Air - 34Kg
- Weight in Water - 23Kg
- Power Requirement - 24VDC 6A / 150W
- Serial Communications - RS232 (230400 bps)
- Housing - Titanium
- Rated - 4,000 m
- Number of Cameras - 3

- Sensor Type - Active Pixel CMOS, Global Shutter
- Resolution - 2028 x 2448
- FoV Horizontal - 85°
- FoV Vertical - 65°
- Number of Frames Per Second - 5 - 10 fps Copper & 10 - 20 fps SM Fiber
- Start Up Time - 0.02 s
- Communication - 1 Gbps Ethernet Copper & 10 Gps SM Fiber - Single Fiber Channel
- Software - Included
- Export Image Formats - Color palletized Mesh, Point Cloud *.ply (Binary)
- Battery Type - No Battery

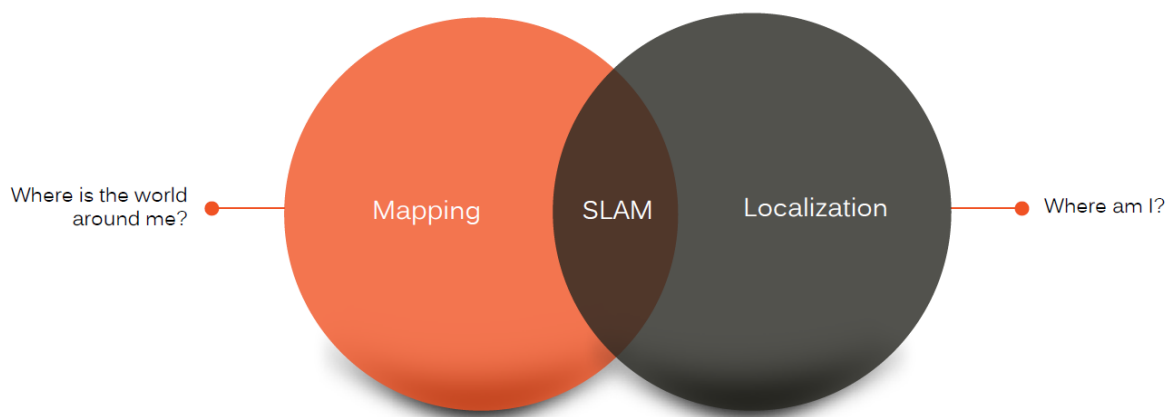
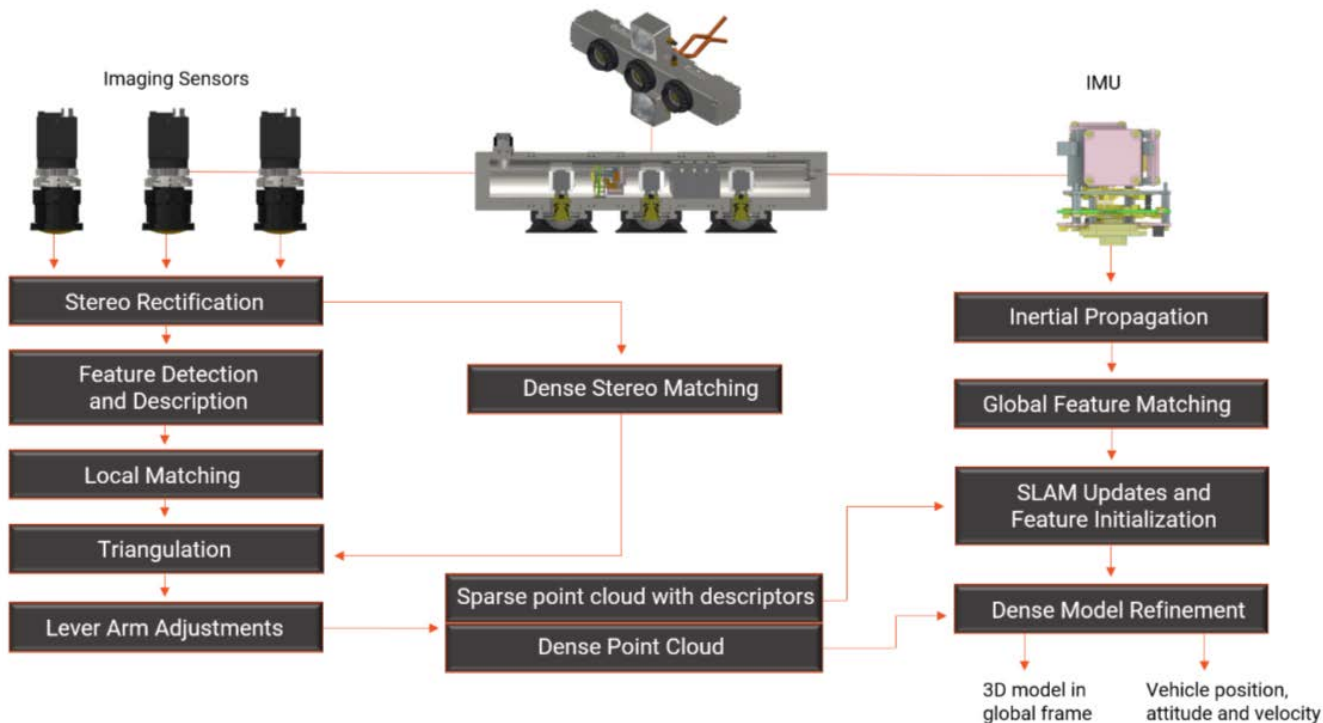


www.zupt.com

Zupt delivers operationally aware inertial technologies to improve the productivity associated with high cost operations for oil and gas exploration and field development. These capabilities are offered and supported worldwide.

3D Recon

SUBSEA SLAM SOLUTION:



Zupt, LLC
6614 Gant Rd
Houston, TX 77066

Tel: +1 832 295 7280

www.zupt.com

The information given herein is believed to be reliable. Zupt, LLC makes no warranties as to its accuracy and completeness. These specifications are subject to change without notice.